

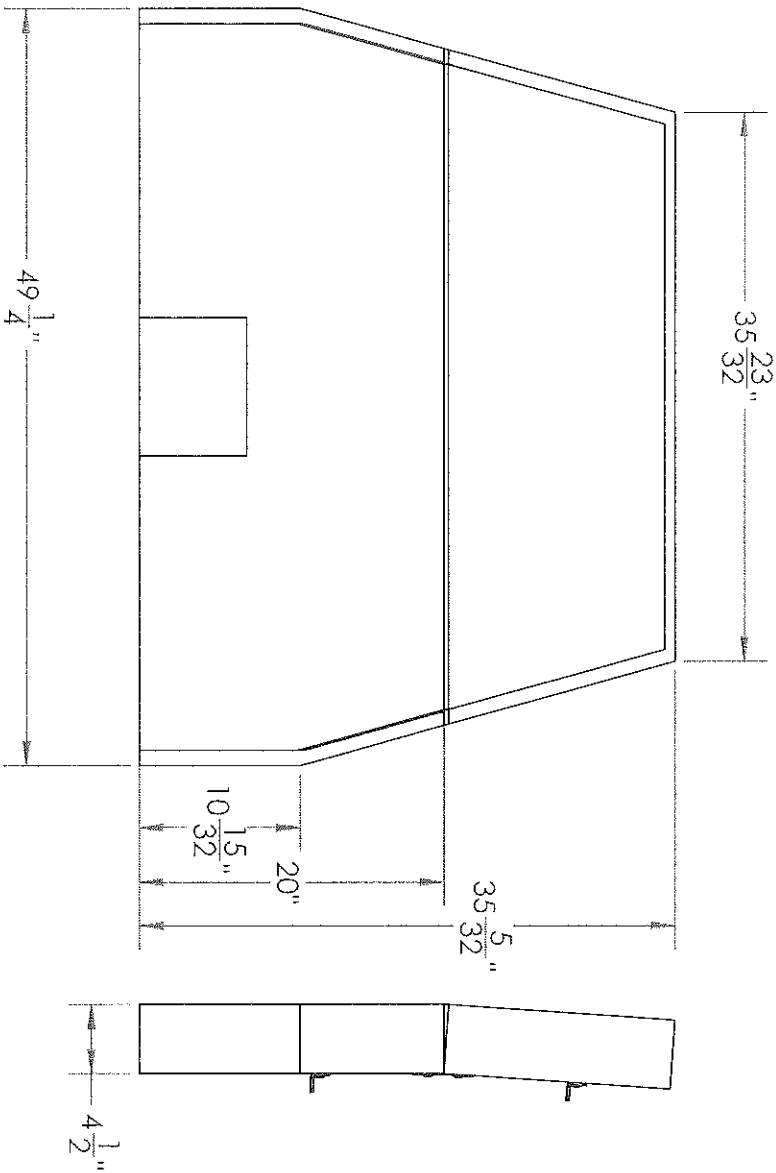
REV	APPROVED BY	NAME	DATE	COMMENTS
***	***	***	***	***
***	***	***	***	***
***	***	***	***	***
***	***	***	***	***

PROPRIETARY AND CONFIDENTIAL
 THE INFORMATION CONTAINED IN THIS
 DRAWING IS THE SOLE PROPERTY OF
 AMERICAN ATHLETIC INC. ANY
 REPRODUCTION IN PART OR AS A WHOLE
 WITHOUT THE WRITTEN PERMISSION OF
 AMERICAN ATHLETIC INC. IS PROHIBITED.

MATERIAL	SEE BOM
MASS PROPERTIES	LBS.
DIMENSIONS ARE IN INCHES	
TOLERANCES	
FRACTIONAL	1/32"
ANGULAR	±
ONE PLACE DECIMAL	±
TWO PLACE DECIMAL	±
THREE PLACE DECIMAL	±
DRAWN	NAME
DATE	DATE

American Athletic Inc.
 FRONT ARM ASSEMBLY

 SIZE: DWG. NO. 0043876
 SCALE: 1:24
 SHEET 1 OF 1



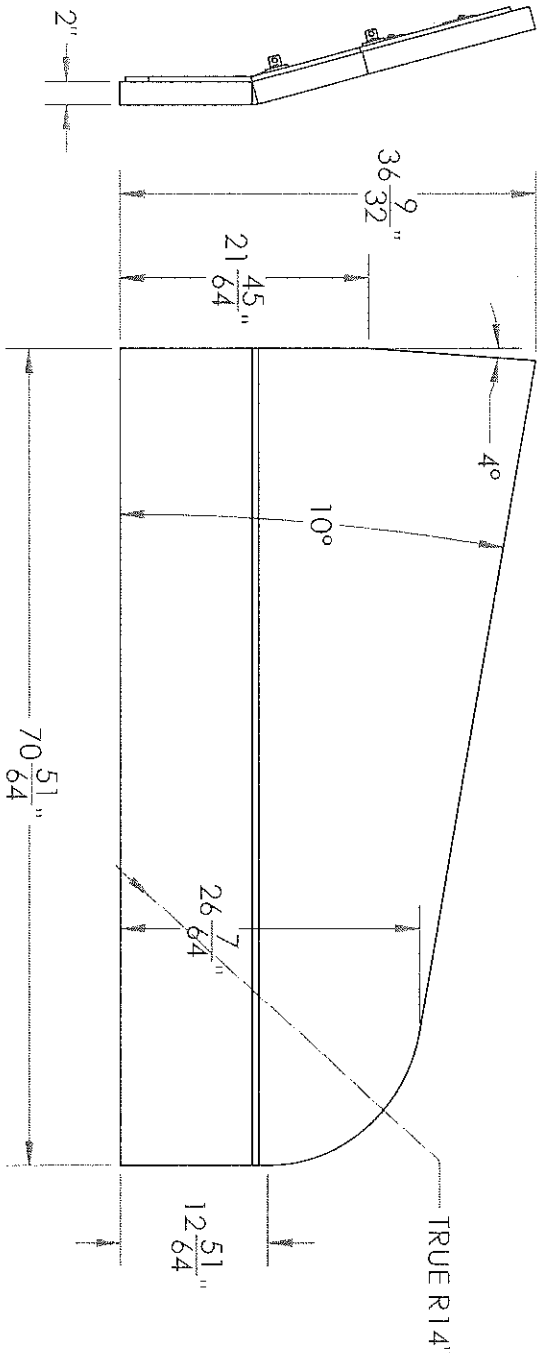
REV	APPROVED BY	NAME	DATE	COMMENTS
***	***	***	***	***
REV	APPROVED BY	NAME	DATE	COMMENTS
***	***	***	***	***
REV	APPROVED BY	NAME	DATE	COMMENTS
***	***	***	***	***

PROPRIETARY AND CONFIDENTIAL
 THE INFORMATION CONTAINED IN THIS DRAWING IS THE SOLE PROPERTY OF AMERICAN ATHLETIC INC.. ANY REPRODUCTION IN PART OR AS A WHOLE WITHOUT THE WRITTEN PERMISSION OF AMERICAN ATHLETIC INC. IS PROHIBITED.

MATERIAL	0
MASS PROPERTIES	LBS.
DIMENSIONS ARE IN INCHES	
TOLERANCES:	
FRACTIONAL	± 1/32"
ANGULAR	± .005
PLUG DECIMAL	± .002
THREE PLACE DECIMAL	± .002
DRAWN	TDM
DATE	10/14/2016

American Athletic Inc.
 BASE FRT PAD ASSY

 N043871
 2.0
 SHEET 1 OF 1



REV	APPROVED BY	DATE	COMMENTS
***	***	***	***
***	***	***	***
***	***	***	***

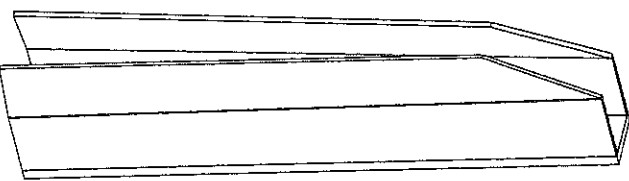
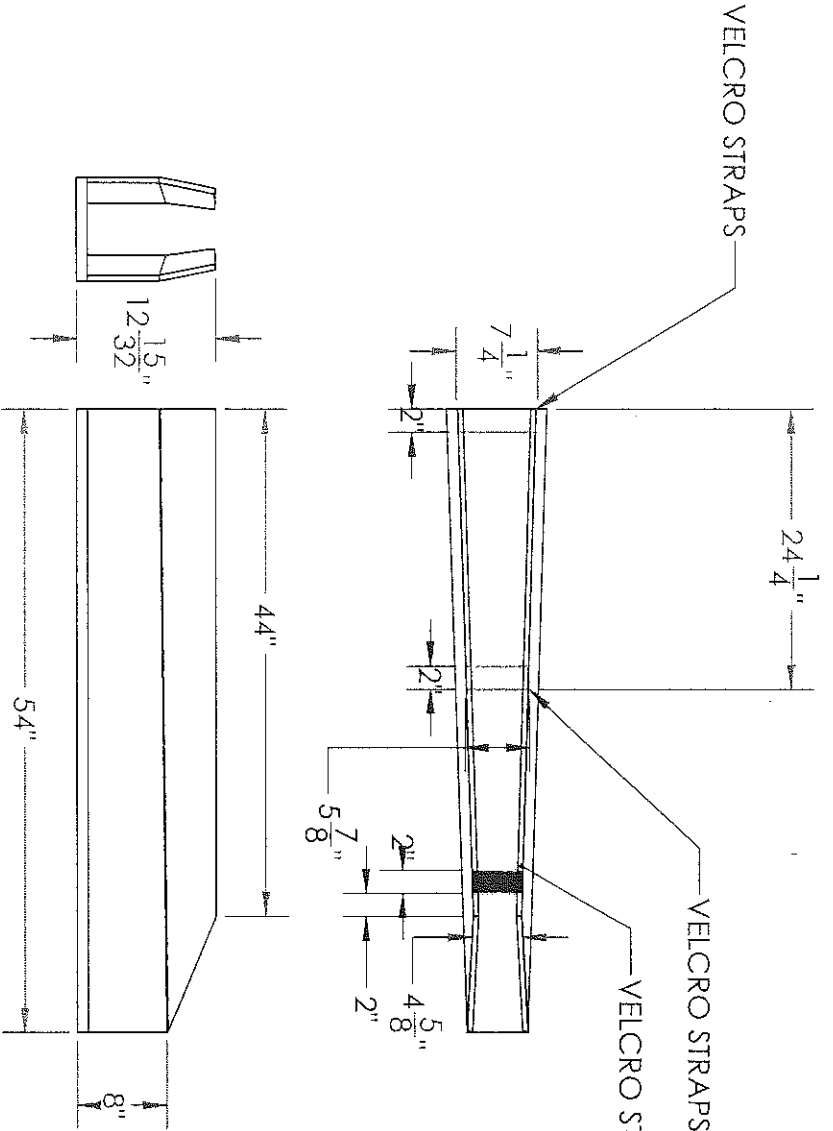
PROPRIETARY AND CONFIDENTIAL
 THE INFORMATION CONTAINED IN THIS
 DRAWING IS THE SOLE PROPERTY OF
 AMERICAN ATHLETIC INC. ANY
 REPRODUCTION IN PART OR AS A WHOLE
 WITHOUT THE WRITTEN PERMISSION OF
 AMERICAN ATHLETIC INC. IS PROHIBITED.

MATERIAL	0
MASS PROPERTIES	LBS.
DIMENSIONS ARE IN INCHES	
TOLERANCES:	
FRACTIONAL	1/32"
ANGULAR	2'
ONE PLACE DECIMAL	0.05
TWO PLACE DECIMAL	0.02
THREE PLACE DECIMAL	0.005
DRAWN	TDM
DATE	10/14/2016

American Athletic Inc.
 RIGHT SIDE PAD ASS'Y

 0043874
 2.0
 SHEET 1 OF 1

ITEM NO.	PART NO.	DESCRIPTION	QTY.
1	0043890	BOTTOM FOAM	1
2	0043891	SIDE FOAM	2
3	0003105	2" WEBBING	1
4	0004130	2" HOOK	0.5
5	0004131	2" LOOP	0.5
6	0040070	THREAD	0.0001



REV	APPROVED BY	NAME	DATE	COMMENTS
REV	APPROVED BY	NAME	DATE	COMMENTS
REV	APPROVED BY	NAME	DATE	COMMENTS
REV	APPROVED BY	NAME	DATE	COMMENTS

PROPRIETARY AND CONFIDENTIAL
 THE INFORMATION CONTAINED IN THIS
 DRAWING IS THE SOLE PROPERTY OF
 AMERICAN ATHLETIC INC. ANY
 REPRODUCTION IN PART OR AS A WHOLE
 WITHOUT THE WRITTEN PERMISSION OF
 AMERICAN ATHLETIC INC. IS PROHIBITED.

MATERIAL	SEE BOM
MASS PROPERTIES	LBS.
DIMENSIONS ARE IN INCHES	
TOLERANCES:	
FRACTIONAL	1/32"
ANGULAR	± 0.05
ONE PLACE DECIMAL	± 0.02
TWO PLACE DECIMAL	± 0.005
THREE PLACE DECIMAL	
MINI FACE DECIMAL	
MINI FACE DECIMAL	
DRAWN	TDM
NAME	
DATE	6/27/16

American Athletic Inc.
 BOOM PAD ASSY

 2.0
 SITE DWG. NO. 0043889
 SCALE: 1:16
 SHEET 1 OF 1